



permobil

COMPARE AND CHOOSE

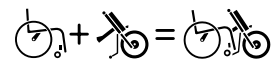
Your electric **handbike**

BATEC Mini

BATEC Electric 2

BATEC Scrambler*

BATEC Hybrid



Permobil New Zealand Ltd

Ph 0800 115 222 | sales.nz@permobil.com

www.permobil.co.nz

An electric HANDBIKE for every need

- 1 Discover the full range
- 2 Compare our models
- 3 Choose the one that suits you best!

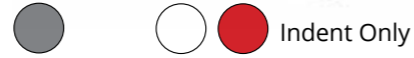
ALSO AVAILABLE FOR QUADRIPLIGICS AND HEMIPLEGICS

The versions for **quadriplegics** include the *Gas & Brake* handlebar without levers with which you can accelerate and brake with gentle movements. For **hemiplegics**, the handlebar includes Monolever brakes and the controls can be grouped right or left.

Request a quote or a demonstration today!

Go to our website and request a quote or a demonstration without any commitment. We'll be delighted to organise it for you, as well as to answer any questions you may have.

BATEC MINI



BATEC ELECTRIC 2



BATEC SCRAMBLER



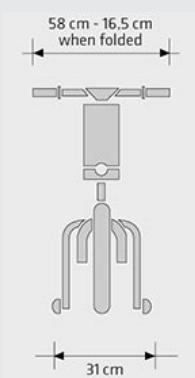
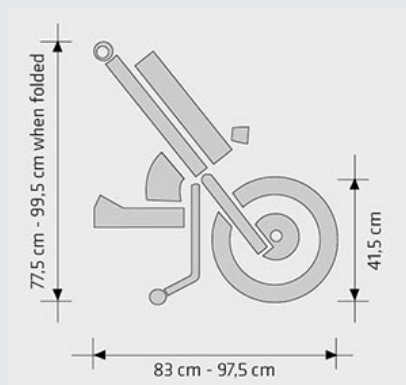
BATEC HYBRID



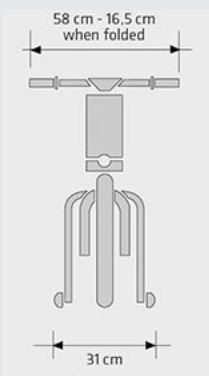
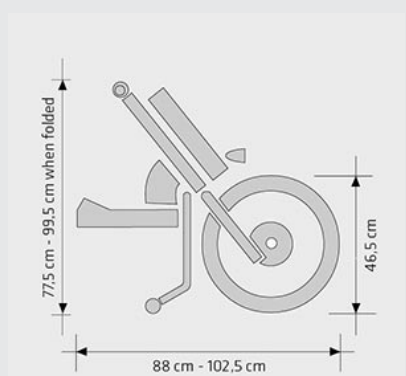
Maximum speed	Maximum speed	Maximum speed	Maximum speed
20 Km/h	25 Km/h	28 Km/h	N/A
Autonomy	Autonomy	Autonomy	Autonomy
22 km * with a 280 Wh battery 40 km * with a 522 Wh battery	22 km * with a 280 Wh battery 40 km * with a 522 Wh battery	50 km * with a 696 Wh battery —	27-40km * with a 280 Wh battery 50-75km* with a 522 WH battery
Motor	Motor	Motor	Motor
250 RPM high-torque brushless motor Nominal power: 900 w Peak power: 1050 w Reverse gear	250 RPM high-torque brushless motor Nominal power: 900 W Peak power: 1050 W Reverse gear	300 RPM high-torque brushless motor Nominal power: 1200 W Peak power: 1300 W Reverse gear	200 RPM high-torque brushless motor Nominal power: 900 W
Battery and charger	Battery and charger	Battery and charger	Battery and charger
2 options: 36 V - 280 Wh or 36 V - 522 Wh	2 options: 36 V - 280W h or 36 V - 522 Wh	48 V - 696 W	2 options: 36 V - 280 Wh or 36 V - 522 Wh
Frame	Frame	Frame	Frame
7005 T6 Aluminium Black 1.1/8 headset Removable right dropout Matte black aluminium handlebar	7005 T6 Aluminium Black 1.1/8 headset Removable right dropout Matte black aluminium handlebar	7005 T6 Aluminium 1.1/8 FSA Orbit Mx Black steering Stand frame with suspensión Ultra wide aluminium handlebar	7005 T6 Aluminium 1.1/8 FSA Orbit Mx Black steering Stand frame with suspensión 170mm Aluminium Crank Arms
Brakes	Brakes	Brakes	Brakes
Avid BB5 mechanical brakes Brake levers with parking brake Avid G2 180-mm rotor disc	Avid BB5 mechanical brakes Brake levers with parking brake Avid G2 180-mm rotor disc	Avid BB7 mechanical brakes Avid Speed Dial Titanium adjustable brake levers Avid Centerline 200-mm rotor disc	Avid BB7 mechanical brakes Avid Speed dial 7 adjustable brake levers 8 Gear Shimano Alivio Gear Shifter
Wheel	Wheel	Wheel	Wheel
16" x 2.40" ultra-grip tyre 16" black aluminium double-wall rims	18" x 2.40" ultra-grip tyre 18" black aluminium double-wall rims	19" x 2.75" ultra-grip tyre 19" black aluminium double-wall rims	20" Ultra-grip Maxxis 20" black aluminium double-wall rims
Equipment	Equipment	Equipment	Equipment
700-lumen front light with position light Dual LED tail lights on the stand frame All-in-one LCD screen with cyclo computer and battery gauge USB charging port Horn —	700-lumen front light with position light Dual LED tail lights on the stand frame All-in-one LCD screen with cyclo computer and battery gauge USB charging port Horn Removable QR weights	1400-lumen double front light with position light Dual LED tail lights on the stand frame All-in-one LCD screen with cyclo computer and battery gauge USB charging port Horn Removable QR weights	900-lumen front light with position light Dual LED tail lights on the stand frame Display panel and Cycle computer and battery guage, speed regulator and LCD screen USB charging port — Removable QR weights
Weight	Weight	Weight	Weight
14.7kg (without battery)	15.9kg (without battery/weights)	16.7kg (without battery/weights)	20.6kg (without battery/weights)

* Autonomy calculated under the following conditions: 75-kg user, ultra-light wheelchair, flat terrain, no wind and steady speed of 15 km/h. May vary ±20% depending on the battery.
** Autonomy calculated under the following conditions: 75-kg user, ultra-light wheelchair, flat terrain, no wind and steady speed of 20 km/h. May vary ±20% depending on the battery.

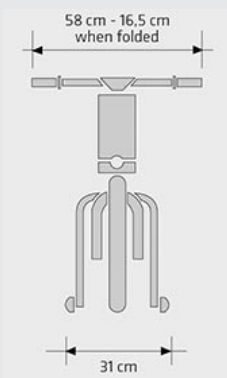
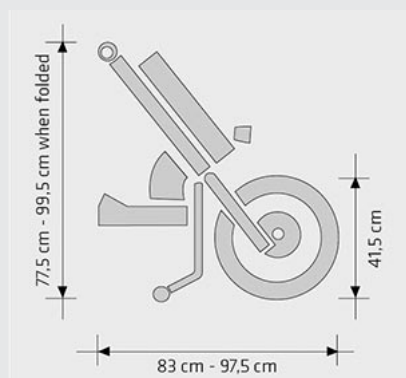
BATEC MINI



BATEC ELECTRIC 2



BATEC SCRAMBLER



BATEC HYBRID

