

TiLite Pilot Order Form

Effective January 2020 (New Items in Red)

CARBON RIGID, GROWABLE FRAME

Page 1 of 5

DEALER INFORMATION		RTS INFORMATION	
Dealer:	Account #:	RTS:	Phone:
PO:	Ordered By:	Email:	
Email:		SHIP TO INFORMATION	
Mark For:	User Weight:	Name:	Ship Via:
TiLite Sales Rep:		Address:	
TiLite Information:	Promo Code:	City:	State: P/C:
Ship Date:	Order #:	Phone:	Fax:

More options and frame modifications may be available through our Creative Mobility Division! Please [click here](#) to view options.

Please email your order to sales.nz@permobil.com

FRAME STYLE

- TPFS1 **TiLite Pilot INCLUDING Growth Kit** (Full Adjustability. Seat Width **A** grows 2" and Seat Depth **B** grows 3". 54kg Weight Limit. Price includes one-time growth kit and Transit Tie-Down option. Additional growth kits sold separately.).....\$
- TPFS2 **TiLite Pilot OMIT Growth Kit**.....\$
- SM-MX2-168 **Permobil Smart Drive MX2+** (Not available with 8" seat width, rear seat heights less than 13.5", or 20" rear wheels.).....\$

TRANSIT TIE-DOWN OPTION

(Refer to the Transit Tie-Down Option Brochure for important information regarding the Transit Tie-Down options.)

- TPWTB Transport Brackets (Consists of four Tie-Down Brackets.).....\$
- TPTTDO Transit Tie-Down (Tie-Down Brackets tested to WC-19. 43kg weight limit. Head support is required with this option.).....\$

FRAME FINISHES

PAINT COLOR

- TPF29 Neon Pink TPF14 Ocean Blue Metallic TPF30 Acid Green Metallic TPF25 Electric Plum.....STD

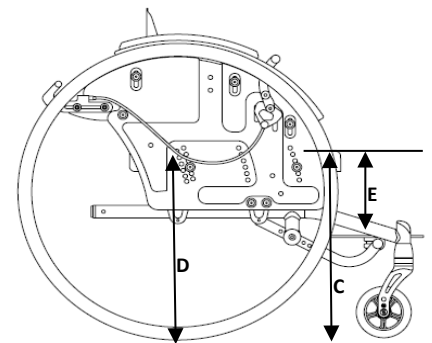
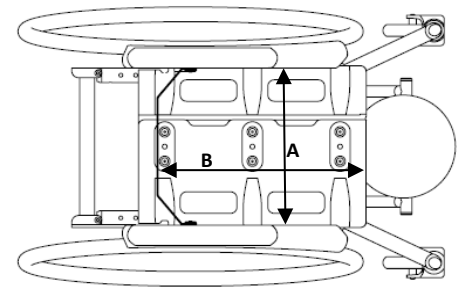
ANODIZE COLOR

- TPAN01 Black.....STD
- TPAN05 Sapphire TPAN03 Red Pepper TPAN08 Ultraviolet.....\$

FRAME MEASUREMENTS

FRONT SEAT TO FLOOR HEIGHT, REAR SEAT TO FLOOR HEIGHT, CENTER OF GRAVITY AND SEAT TO FOOTREST Please see the table below for available configuration adjustment ranges. Center of gravity will be set at the factory. See documentation shipped with chair for detailed information on adjustments.

SEAT DEPTH	MEASUREMENT:	20" REAR WHEEL	22" REAR WHEEL	24" REAR WHEEL
		AVAILABLE RANGE (IN):	AVAILABLE RANGE (IN):	AVAILABLE RANGE (IN):
9"	FRONT SEAT HEIGHT	12.5-15	N/A	N/A
	REAR SEAT HEIGHT	12-13.5	N/A	N/A
	CENTER OF GRAVITY	0.5-1.5	N/A	N/A
10"	FRONT SEAT HEIGHT	12-15	N/A	N/A
	REAR SEAT HEIGHT	12-13.5	N/A	N/A
	CENTER OF GRAVITY	0.5-2.25	N/A	N/A
11"	FRONT SEAT HEIGHT	12-15	13.5-16.5	14-16.5
	REAR SEAT HEIGHT	12-13.5	13-15	13.5-16
	CENTER OF GRAVITY	0.5-3	0.5-2.25	0.5-2.25
12"	FRONT SEAT HEIGHT	12-15	13.5-16	14-16.5
	REAR SEAT HEIGHT	12-13.5	13-15	13.5-16
	CENTER OF GRAVITY	0.5-3.5	0.5-3.25	0.5-3.25
13"	FRONT SEAT HEIGHT	N/A	13-16	13.5-16.5
	REAR SEAT HEIGHT	N/A	13-15	13.5-16
	CENTER OF GRAVITY	N/A	0.5-3.5	0.5-3.5
14"	FRONT SEAT HEIGHT	N/A	13-16	13.5-16.5
	REAR SEAT HEIGHT	N/A	13-15	13.5-16
	CENTER OF GRAVITY	N/A	0.5-3.5	0.5-3.5
15"	FRONT SEAT HEIGHT	N/A	13-16	13.5-16.5
	REAR SEAT HEIGHT	N/A	13-15	13.5-15.5
	CENTER OF GRAVITY	N/A	1.5-3.5	1.5-3.5



Permobil New Zealand Ltd
 181a McLeod Road, Te Atatu South, 0610
 Ph 0800 115 222 | sales.nz@permobil.com | permobil.com/en-nz

TiLite Pilot Order Form

SEAT WIDTH A Measure inside width from side panel to side panel. Seat width grows 2" if selected width is between 8" and 12". The 13" width will grow a maximum of 1", and the 14" width will not grow any wider. Refer to chart for seat depth availability.

TPSW1 8" (20.3cm) 9" (22.9cm) 10" (25.4cm) 11" (27.9cm) 12" (30.5cm) 13" (33cm) 14" (35.6cm)..... **STD**

SEAT DEPTH RANGE The seat depth can be grown within the selected range.

9"-12" (22.9-30.5cm) 11"-15" (27.9-38.1cm)..... **STD**

SEAT DEPTH B Measure from front of seat pan to front of back support cushion. An 11WX9D or 11W x 10D will only allow 1" of width growth. A 12WX9D or 12WX10D will not allow any width growth. 13WX9D, 13WX10D, 14WX9D and 14WX10D are not available.

TPSD1 9" (22.9cm) 10" (25.4cm) 11" (27.9cm) 12" (30.5cm) 13" (33cm) 14" (35.6cm) 15" (38.1cm)..... **STD**

FRONT SEAT HEIGHT C Measure from the floor to the top edge of the front of the seat pan. Adjustable in 1/2" increments.

TPFSH1 12" (30.5cm) 12.5" (31.8cm) 13" (33cm) 13.5" (34.3cm) 14" (35.6cm) 14.5" (36.8cm) 15" (38.1cm) 15.5" (39.4cm) 16" (40.6cm) 16.5" (41.9cm)..... **STD**

REAR SEAT HEIGHT D Measure from the floor to the top edge of the of the seat pan at the intersection of the front of the back support pad and the seat pan. Adjustable in 0.5" increments.

TPRSH1 12" (30.5cm) 12.5" (31.8cm) 13" (33cm) 13.5" (34.3cm) 14" (35.6cm) 14.5" (36.8cm) 15" (38.1cm) 15.5" (39.4cm) 16" (40.6cm) 16.5" (41.9cm)..... **STD**

FOOTREST TYPE

TPFTR3 Angle Adjustable Footrest..... **STD**
TPFTR24 Flip-Back Depth and Angle Adjustable Footrest (Not available on 8" seat width)..... **\$**

SEAT TO FOOTREST E Measure from the top of the footplate to the front of the seat pan. This measurement must be at least 2" less than front seat height and allow for a 2" ground clearance.

3" (7.6cm) 3.5" (8.9cm) 4" (10.2cm) 4.5" (11.4cm) 5" (12.7cm) 5.5" (14cm) 6" (15.2cm) 6.5" (16.5cm) 7" (17.8cm) 7.5" (19.1cm) 8" (20.3cm) 8.5" (21.6cm) 9" (22.9cm) 9.5" (24.1cm) 10" (25.4cm) 10.5" (26.7cm) 11" (27.9cm) 11.5" (29.2cm) 12" (30.5cm) 12.5" (31.8cm) 13" (33cm) 13.5" (34.3cm) 14" (35.6cm) 14.5" (36.8cm)..... **STD**

COMFORT BACK SUPPORTS (The Comfort back supports are WC-20 certified.)

AE-BSxWxL Acta-Embrace (Available on 10" to 14" seat widths. Includes compass cane mount hardware.)
Back support length: 10" (25.4cm) 12" (30.5cm) 14" (35.6cm)..... **\$**

Comfort Back Options:

BS-H-PILOTA Integrated Compass Hardware..... **\$**

TPLAT1 BodiLink 3"L x 4"D Lateral Trunk Support, Each (Swing away. Includes GlideWear cover with foam pad.)..... **\$**

Mounting Location: Left Right

SEAT BACK TYPE Measure from top of back support to seat pan. Back support shell height is 9.5" with scapular cutouts.

TPSB1 Standard Non-Folding Adjustable-Height Rigid Back with Pad (11" to 13" height range)..... **STD**

TPSB2 Contoured Non-Folding Adjustable-Height Rigid Back with Pad (11" to 13" height range)..... **\$**

TPSB3 Aluminum Canes for Aftermarket Back Support, no Pad..... **NCO**

HEAD SUPPORT (The Comfort head support is WC-20 certified on the Acta-Embrace. The head support is WC-19 certified when used with the TiLite backrest.)

TPHDR1 Comfort BodiLink Head Support with GlideWear Cover (Uses piano taper midline hardware. Available on Acta-Embrace and TiLite rigid back supports.)..... **\$**

Width: 6" (15.2cm) 8" (20.3cm) 10" (25.4cm)

PUSH HANDLES (Height adjustable range is 33" - 40" as measured from the floor with 24" (540) wheels.)

TPSB6 Bolt-On Height-Adjustable Removable Single Push Handle..... **\$**

TPSB7 Bolt-On Height-Adjustable Removable Dual Push Handles..... **\$**

CAMBER/CAMBER TUBES (Aluminum Camber tube standard. Anodize color will match selection above.)

2° (Minimum 1.5" rear wheel spacing) 4° (Minimum 1.25" rear wheel spacing) 6° (Minimum 1" rear wheel spacing)

8° 12°..... **STD**

TiLite Pilot Order Form

REAR WHEEL SPACING Measure from outside of side panel to inside of rear tire at top of wheel. (Not all rear wheel spacing is available with all accessories.)

- TPRWS1 0.75" (1.8cm) 1" (2.5cm) 1.25" (3.2cm) 1.5" (3.8cm) 1.75" (4.4cm) 2" (5.1cm).....**STD**
- TPCBR12 Adjustable Rear Wheel Spacing Camber Plugs.....**STD**
- TPCBR9 Additional Spacers to Increase Rear Wheel Spacing.....**NCO**

CUSTOM CONFIGURATION OPTIONS

FRONT WHEELS (TiLite Standard Fork style will be provided.)

- TPFW14 4" X 0.75" Plastic Wheel w/Poly Tire.....**STD**
- TPFW3 4" X 0.75" Light-Up Micro-Caster.....**\$**
- TPFW25 4" X 0.75" LiteSpeed Billet Aluminum Wheel w/Poly Tire (Black Hub Only).....**\$**
- TPFW26 4" X 1.5" LiteSpeed Plastic Wheel w/Soft Roll Tire.....**\$**
- TPFW27 4" X 1.5" LiteSpeed Billet Aluminum Wheel w/Soft Roll Tire (Black Hub Only).....**\$**

STANDARD REAR WHEELS

- TPRW14 TiLite SHADOW™.....**STD**
- 20"(451) Only available with seat depth range 9"-12".
- 22"(501) Only available with seat depth range 11"-15".
- 24"(540) Only available with seat depth range 11"-15".

PERFORMANCE REAR WHEELS

- TPRW7 Spinergy SPOX Black Red Blue White.....**\$**
- 22"(501) - Std. Hub Only available with seat depth range 11"-15".
- 24"(540) - Std. Hub Only available with seat depth range 11"-15".
- TPRW8 Spinergy LX Black Red Blue White Bright Orange Flamingo Pink Purple.....**\$**
- 22"(501) - Std. Hub Only available with seat depth range 11"-15".
- 24"(540) - Std. Hub Only available with seat depth range 11"-15".
- TPRW16 Spinergy Carbon Blade.....**\$**
- 24"(540) Not available with solid tires or airless inserts. Only available with seat depth range 11"-15".
- TPRW17 X-Core Mag (Not available with Short Tabs, Quad Release Axles, or Omit Handrims Option.) Black Red Pink White.....**\$**
- 20"(451) Only available with seat depth range 9"-12".
- 22"(501) Only available with seat depth range 11"-15".
- 24"(540) Only available with seat depth range 11"-15".

AXLES

- TPAXL1 Stainless Quick Release.....**STD**
- TPAXL3 Quad Release (Not available with Mag Rear Wheels.).....**\$**

PNEUMATIC REAR TIRES

- TPRTR1 Treaded.....**STD**
- TPRTR2 Airless Inserts.....**\$**
- TPRTR4 Primo.....**NCO**
- TPRTR30 Primo Sentinel (Available on all wheel sizes, 20" (451), 22" (501), and 24" (540)).....**\$**
- TPRTR8 Schwalbe Marathon (Only available on 24" (540)).....**\$**

HANDRIMS

Handrims by OUT-FRONT®

- TPRIM1 Aluminum – Silver Anodized.....**STD**
- TPRIM21 Aluminum – Black Anodized (Not available with 20" (451) Rear Wheels.).....**\$**
- TPRIM11 The Surge LT (All-In-One Oval with Gription™ Strip, Smaller Profile) (Not available with 20"(451) Rear Wheels.).....**\$**
- TPRIM20 Q-Grip (Exclusive High-Friction, Anti-Slip Coating) (Not available with 20"(451) Rear Wheels.).....**\$**
- The Natural-Fit® LT (Reduced Weight, Smaller Profile) (Not available with 20"(451) Rear Wheels.)**
- TPRIM17 Standard Grip (Not available with Short Tabs or Spinergy Carbon Blade Rear Wheels.).....**\$**
- TPRIM18 Super Grip (Not available with Short Tabs or Spinergy Carbon Blade Rear Wheels.).....**\$**
- TPRIM19 Without Thumb Grip.....**\$**

Additional Handrim Options

- TPRIM5 Plastic Coated – Black.....**\$**
- TPRIM22 Omit Handrims.....**NCO**

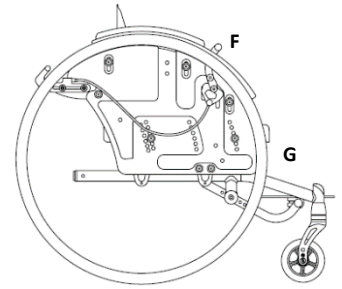
Tab Length

- TPRIM7 Long Tabs.....**STD**
- TPRIM8 Short Tabs (Not available with Mag Rear Wheels or The Natural-Fit® Handrims with Thumb Grip.).....**\$**

TiLite Pilot Order Form

WHEEL LOCKS

- TPWLK30 Compact Push to Lock **NCO**
 TPWLK31 Compact Pull to Lock **NCO**
 Mounting Location:
 Standard Location **F** Forward Mount Location **G** (Mounted on forward front of side panel.)



SOLID SEAT PAN

- TPSP1 Solid Seat Pan (Required Option)..... \$

SEAT CUSHION

- CU-SV-xx Comfort Curve..... \$
 EM-FQA-xx Comfort Acta-Embrace Anti-Thrust..... \$
 R-1RxxLPC ROHO Single Valve, Low Profile..... \$

SIDE GUARDS (Side guards required)

- TPSDG30 Built in Side Guard with Height Adjustable Fender (Not available with 20" rear wheels.)..... \$
 TPSDG31 Built in Side Guard WITHOUT Fender..... **STD**

ARMRESTS (Armrests attach to built in Side Guards.)

- TPARM2 Removable Height Adjustable Desk Arm w/ 10" Pad (Works with Fendered Side Guard Attachment Option.)..... \$
 TPARM31 Height Adjustable Armrest..... **STD**

UPPER BODY POSITIONING

- BP-SH295x-B5 Bodypoint® PivotFit™ Dynamic Shoulder Harness with Flat Mount, Rear-Pull \$
 Extra Small Small Medium
 BP-SH120x-B3 Bodypoint® Monoflex™ Chest Support..... \$
 Extra Small Small

PELVIC POSITIONING BELTS

- TPBLT1 Velcro Adjustable, black nylon webbing seat belt..... \$
 BP-HB275-S38-B1 Bodypoint® 1" Wide Two-Point Padded Hip Belt with Swivel Buckle, Small..... \$
 BP-EB275-S38 Bodypoint® 1" Wide Evoflex® Belt with Swivel Buckle, Small..... \$
 BP-EB235-S38 Bodypoint® 1" Wide Evoflex® Belt with Extra Small Push-Button Buckle, Small..... \$

LOWER BODY POSITIONING

- BP-FT240x Bodypoint® Ankle Huggers®..... \$
 Extra Small Small

ANTI-TIPS

- TPTIP1 Rear Aluminum - Black..... \$
 TPTIP7 Single Anti-Tip..... \$
 Mounting Location: Right Side Left Side

BACKPACK

- TPBCK3 Black Permobil Backpack..... \$

SPOKE GUARDS

- TPGRD30 Clear Polycarbonate Spoke Guard with TiLite Pilot Sticker Pack (Not available with Mag Rear Wheels.)..... \$

ACCESSORIES

- TPCH1 Crutch Holder..... \$

LAPSTACKER Add a Adaptdefy LapStacker Set (each set comprises of - one retractor, buckle, clamp, bracket and keeper set). Complete the LapStacker order form.

TiLite **Pilot** Order Form

NOTES

GENERAL

Permobil manufactures TiLite manual wheelchairs in a wide variety of configurations to meet the varied needs of wheelchair users. The final selection of a particular model, its options and accessories, and its measurements rests solely with the wheelchair user and advising healthcare professional. These wheelchairs must be fitted by a qualified healthcare professional. HCPCS Codes are for reference purposes only. Actual coding and coverage varies by payer. Proper HCPCS coding is not a guarantee of payment. Please verify the appropriate payer's coverage policy.

Get the latest order forms at permobilus.com. Prices, standard features, options and accessories are subject to change without notice. All rights reserved. Trademarks are identified by symbols™ and ®. TiLite, TiFit, the TiLite logo, Ti, the Ti logo, The Titanium Experts, and TiShaft are registered trademarks of TiSport, LLC and are licensed to Permobil. Permobil® is a registered trademarks of Permobil. Adobe®, Acrobat®, Acrobat Professional® and Reader® are registered trademarks of Adobe Systems Inc. Bodypoint® is a registered trademark of Bodypoint Inc. Kenda® is a registered trademark of Kenda Rubber Industrial Co. Ltd. Ride Designs® and Corbac® are registered trademarks of Aspen Seating, LLC. ROHO®, Low Profile® and Quadro Select® are registered trademarks of ROHO Inc. Schwalbe® is a registered trademark of Ralf Bohle GmbH. Supracor®, Stimulite® and Corbee® are registered trademarks of Supracor, Inc. The Natural-Fit® and Out-Front® are registered trademarks of Three Rivers Holdings, LLC. Varilite® is a registered trademark of Cascade Designs, Inc.